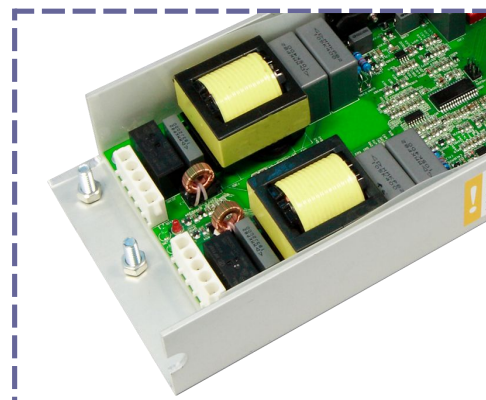
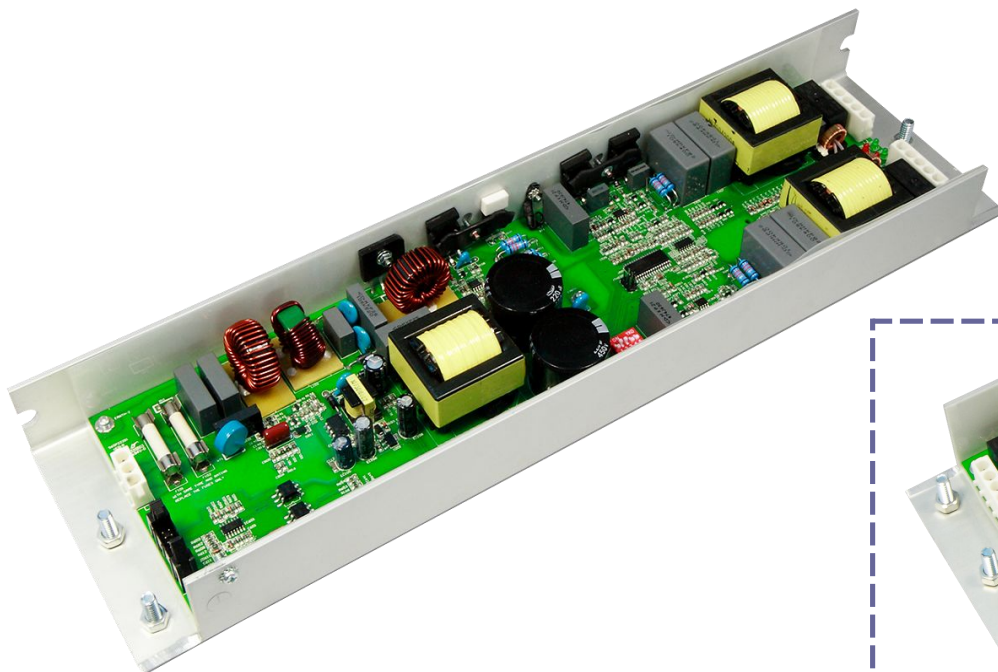


TYPE : RS03-AL-2/320P VER:B

Preheat Start Ballast
AC Source : 198~305V 50/60Hz

Power : 2*240~320W

Product Picture



Product Label (Label Can be Customized)

Product Dimensions

ELECTRONIC BALLAST FOR UV LAMPS

RS03-AL-2/320P

0352 02

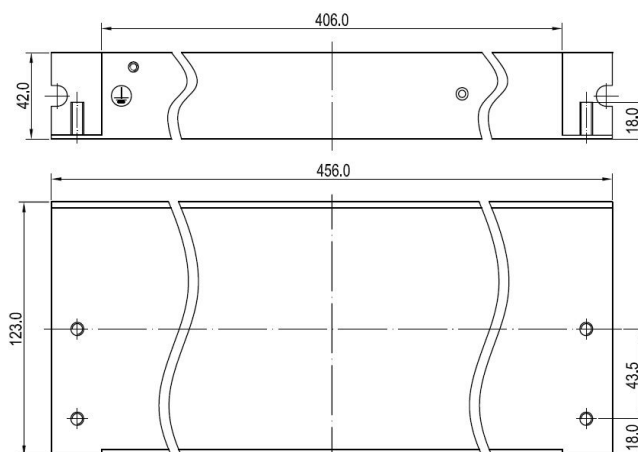
220 to 277V 50/60Hz
Max.Current 3.0A @ 230V

Remote Control Interface

U-OUT : 350V
PF(A) : 0.98
Tc : Max.70°C
Ta : -15~40°C
High Power Factor
Class P
RoHS

DIP-switch Settings		
Lamp Current	Preheat Current	Preheat Time
ON 00 = 2.0A OFF Max. 2000W	ON 00 = 1.5A OFF 0 = 0S	ON 0 = 8S OFF 0 = 0S
ON 01 = 2.2A OFF Max. 2200W	ON 01 = 2.0A OFF 0 = 0S	ON 1 = 12S OFF 0 = 0S
ON 10 = 2.8A OFF Max. 2800W	ON 10 = 2.8A OFF 0 = 0S	ON 1 = 12S OFF 0 = 0S

Remote controlled operation via PWM digital signal.
Dimming range 60%~100% of lamp power.

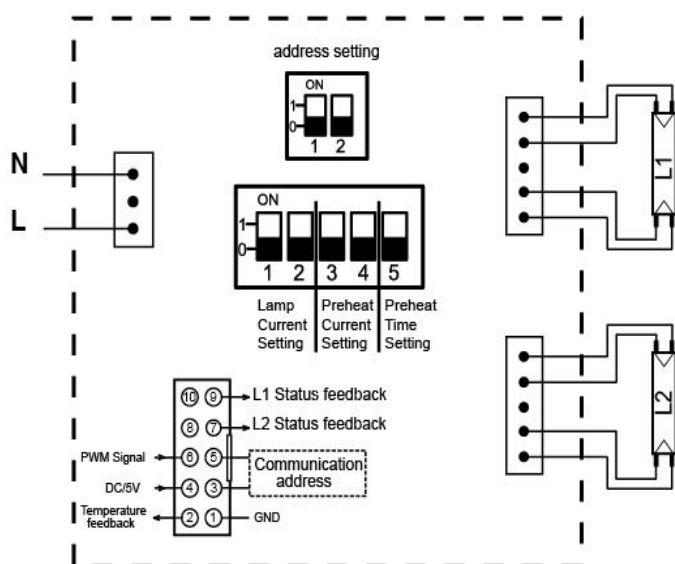


TYPE : RS03-AL-2/320P VER:B

Preheat Start Ballast
AC Source : 198~305V 50/60Hz

Power : 2*240~320W

Wiring Diagram



Features & Functions

- Preheat Start
- Limiting Current and Power
- Lamp Open Protection
- Lamp Fault Protection
- Status Indication:
 - ▶ Green and red LED indicate operation status
- PWM Dimming Interface:
 - ▶ 60~100% Power at D20~100%
 - ▶ Lamp status(Lamp on or Lamp fault) indication via photocouler
 - ▶ Over-temperature protection
 - ▶ Communication
- Application for Trojan equipment

Electrical Specification

- Input Mains Voltage: 220~277V±10%
- Input Line Frequency: 47~63Hz
- Input Current: Max.2.90A at 230Vrms
- Input Power: 500~650W
- Power Factor: 0.98 typ.
- Output Frequency: >40KHz
- Crest Factor: <1.7
- Current THD: <10% typ.
- Preheat Time: Optional 8S,12S
- Preheat Current: Optional 1.5A, 2.0A, 2.8A
- Output Current: Optional 2.0A, 2.2A typ.
- Lamp Power: 2*240~320W
- Lamp Type: 2*240W/1.8A
2*320W/2.1A
- Efficiency: 98% Max. load
- Power Dimming Range: 60~100% Power at D20~100%
- PWM Signal: 5V or 12V, 200~1kHz
- Status Indication: Green and red LED
- Protections: Lamp Open / Fault
- Tc-temperature: Max. 70°C
- Ta-temperature: -15~40°C
- Storage: -40~85°C
- Approvals: CE (LVD EMC)
- IP Code: IP00
- Dimensions: 456×123×42mm

Note

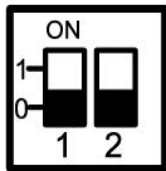
- ▶ Once the DIP is setted up, please do not make any change, otherwise the lamps may be damaged.
- ▶ When the Tc temperature is over 70°C, please add a heat-dissipation device.

TYPE : RS03-AL-2/320P VER:B

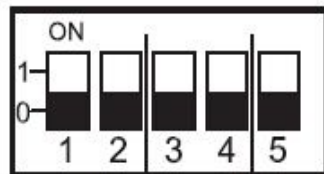
Preheat Start Ballast
AC Source : 198~305V 50/60Hz

Power : 2*240~320W

Operating Instructions



address setting



Lamp Current Setting | Preheat Current Setting | Preheat Time Setting

DIP-switch Settings

Lamp Current Switches set to	Preheat Current Switches set to	Preheat Time Switches set to
00=2.0A Max.2*240W	00=1.5A	0=8S
01=2.2A Max.2*320W	01=2.0A	1=12S
	10=2.8A	

Recommended DIP-switch Settings

Lamp Current DIP Position	Preheat Current DIP Position	Preheat Time DIP Position	Lamp Power DIP Position	Lamp Type
00=2.0A	00=1.5A	0=8S	Max.2*240W	GPHA1554T6L TUV240W/1.8A
01=2.2A	01=2.0A	1=12S	Max.2*320W	NNI300/147XL TUV325WXPTHO/2.1A
01=2.2A	10=2.8A	1=12S	Max.2*320W	GPHHA1554T6L/2.1A

Product Packing Information

Article No.	Type	Inner Box		Carton			Pallet		
		Size [mm]	Weight [kg]	Quantity [pcs]	Size [m³]	Weight [kg]	Quantity [pcs]	Size [m³]	Weight [kg]
8200035202	RS03-AL-2/320P	460*134*55	1.93	8	0.036	16.3	240	1.34	502

TYPE : RS03-AL-2/320P VER:B

Preheat Start Ballast
AC Source : 198~305V 50/60Hz

Power : 2*240~320W

Dimming Instructions

